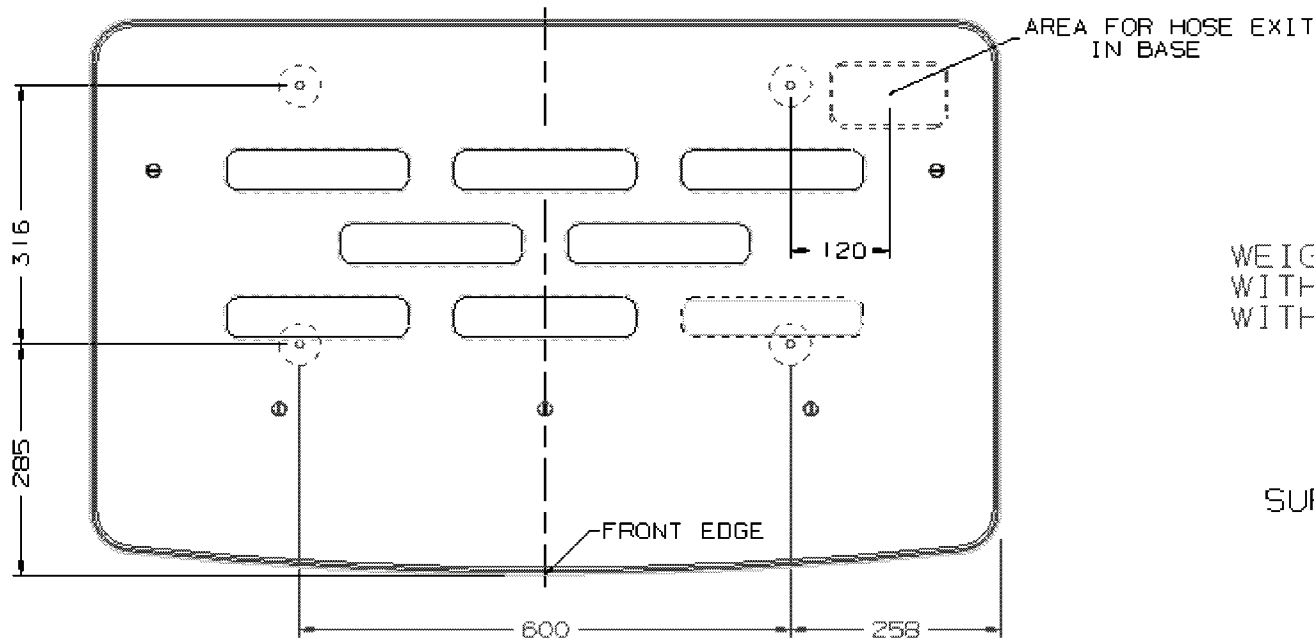
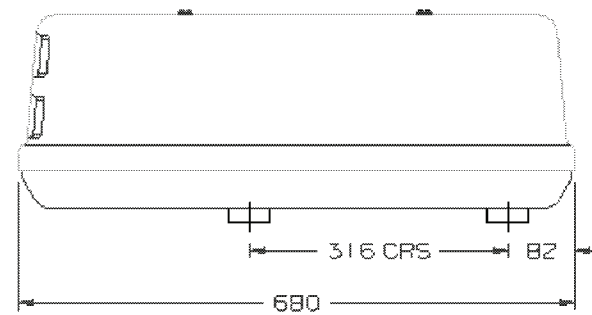
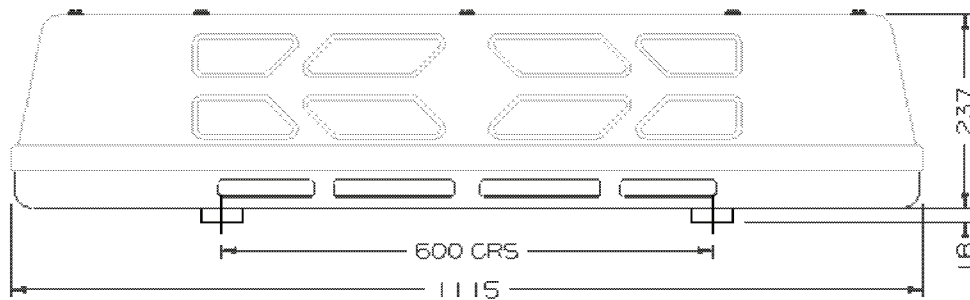


DO NOT SCALE IF IN DOUBT, ASK DIMENSIONS IN MM UNLESS STATED REMOVE ALL BURRS AND SHARP EDGES



WEIGHT:
 WITH STANDBY - 70Kg
 WITHOUT STANDBY - 30Kg


SUPER RAPIER



© 2000 GAH LTD, WOODBRIDGE

1st ANGLE PROJECTION		
3RD ANGLE PROJECTION		
NO	DATE	REF No

GENERAL TOLERANCES	
MACHINED PARTS	±0.25mm ±0.50°
SHEET METAL	±0.5mm ±0.50°
PIPEWORK	±1.00mm ±3.00°
HOLE CENTRES	±0.25mm
UNLESS OTHERWISE SPECIFIED	
MATERIAL	
DRN BY	JCB
DATE	
SCALE	
FINISH	

	GAH (Refrigeration) Ltd., Building B45 Bentwaters Park, Woodbridge Suffolk, England, IP12 2TW Tel 01394 421140 FAX 01394 421151			
	TITLE OUTLINE DRAWING NEW SUPER RAPIER			
MODEL	DRG NO	ISSUE No	CHECKED	
SUPER RAPIER	19-1786B	1		