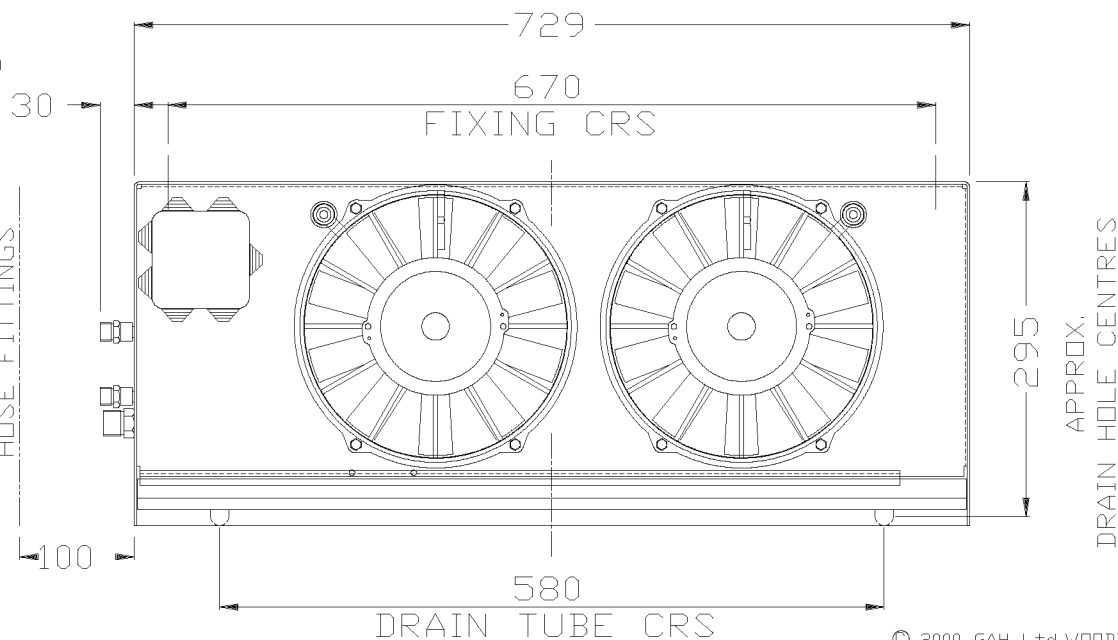
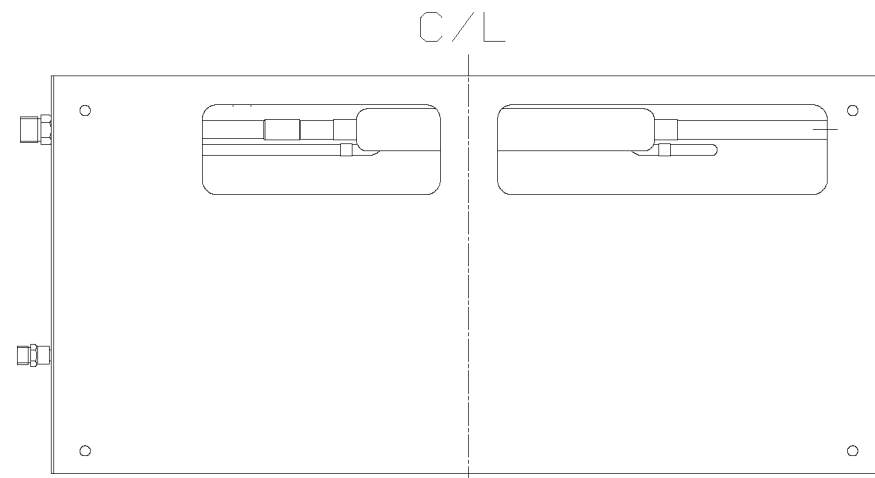
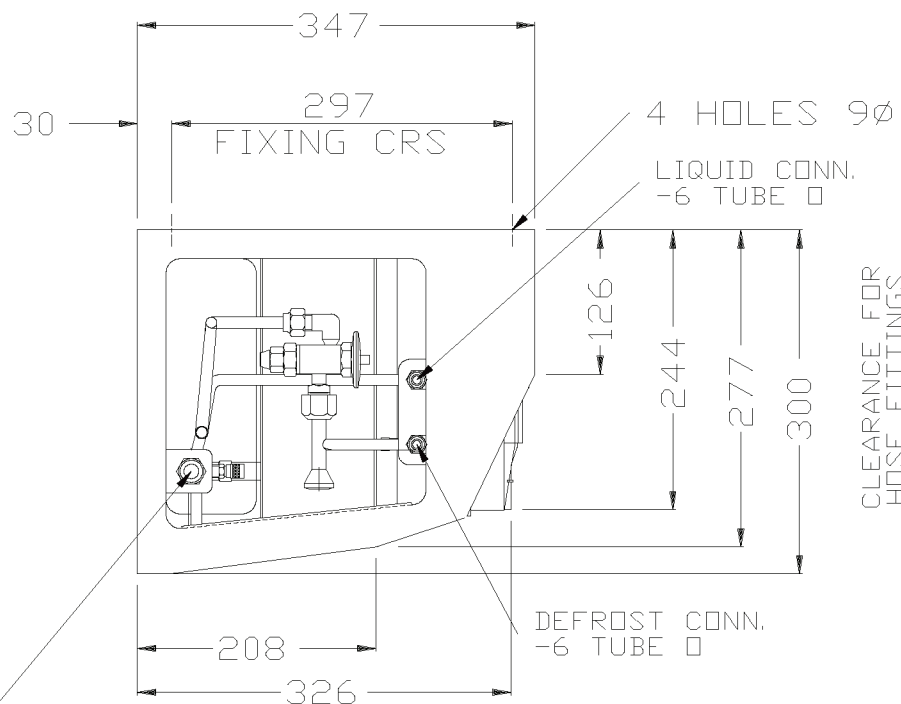


WEIGHT: 14Kg



© 2000 GAH Ltd, WOODBRIDGE

SUCTION CONN.
-10 TUBE □

1ST ANGLE PROJECTION		
3RD ANGLE PROJECTION		
NO	DATE	REF No

GENERAL TOLERANCES	
MACHINED PARTS	±0.25mm ±0.50°
SHEET METAL	±0.5mm ±0.50°
PIPEWORK	±1.00mm ±3.00°
HOLE CENTRES	±0.25mm
UNLESS OTHERWISE SPECIFIED	
MATERIAL	
DRN BY JCB	DATE
SCALE	FINISH



GAH (Refrigeration) Ltd,
Building 846 Bentwaters Parks Woodbridge
Suffolk, England, IP12 2TW
Tel 01394 421140 FAX 01394 421151

TITLE
OUTLINE DRAWING
TWIN FAN EVAPORATOR

MODEL S.RAP, &JAV	DRG NO 19-17871	ISSUE No 1	CHECKED
-------------------------	--------------------	---------------	---------