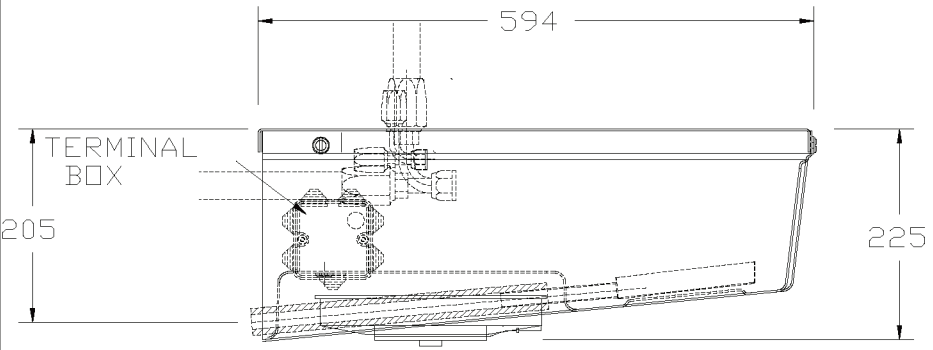


DO NOT SCALE

IF IN DOUBT, ASK

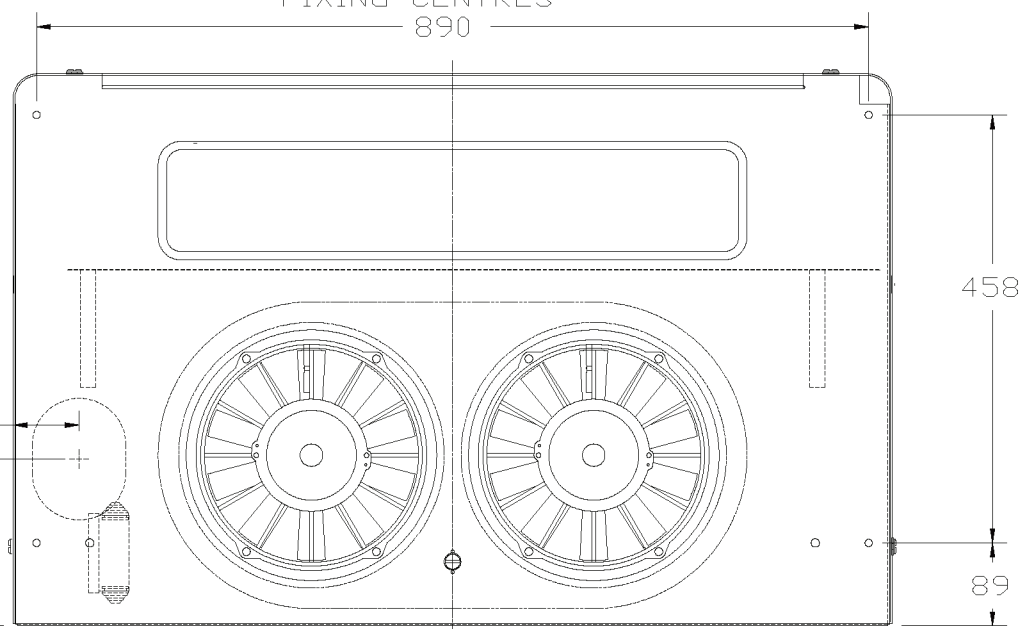
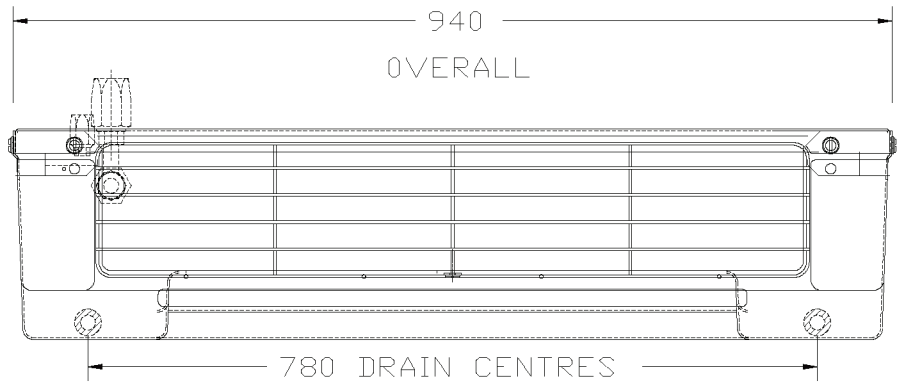
DIMENSIONS IN MM UNLESS STATED

REMOVE ALL BURRS AND SHARP EDGES



ALTERNATIVE REFRIGERATION HOSE CONNECTIONS SHOWN DASHED

DRAIN HOSES EXIT REARWARDS OR DOWNWARDS IF COVER IS TRIMMED



CENTER FOR VERTICAL REFRIGERATION HOSES

REAR EDGE

© 2001 GAH Ltd, WOODBRIDGE

WEIGHT 23 Kg

1ST ANGLE PROJECTION		
3RD ANGLE PROJECTION		
NO	DATE	REF No

GENERAL TOLERANCES  
 MACHINED PARTS ±0.25mm ±0.50°  
 SHEET METAL ±0.5mm ±0.50°  
 PIPEWORK ±1.00mm ±3.00°  
 HOLE CENTRES ±0.25mm  
 UNLESS OTHERWISE SPECIFIED

MATERIAL

DRN BY RKB	DATE
SCALE	FINISH



GAH (Refrigeration) Ltd.,  
 Building 846 Bentwaters Parks Woodbridge  
 Suffolk, England, IP12 2TW  
 Tel 01394 421140 FAX 01394 421151

TITLE TWIN FAN ROOF MOUNT EVAPORATOR

MODEL TWIN FAN ROOF	DRG NO 19-18693	ISSUE No 1	CHECKED
---------------------	-----------------	------------	---------