

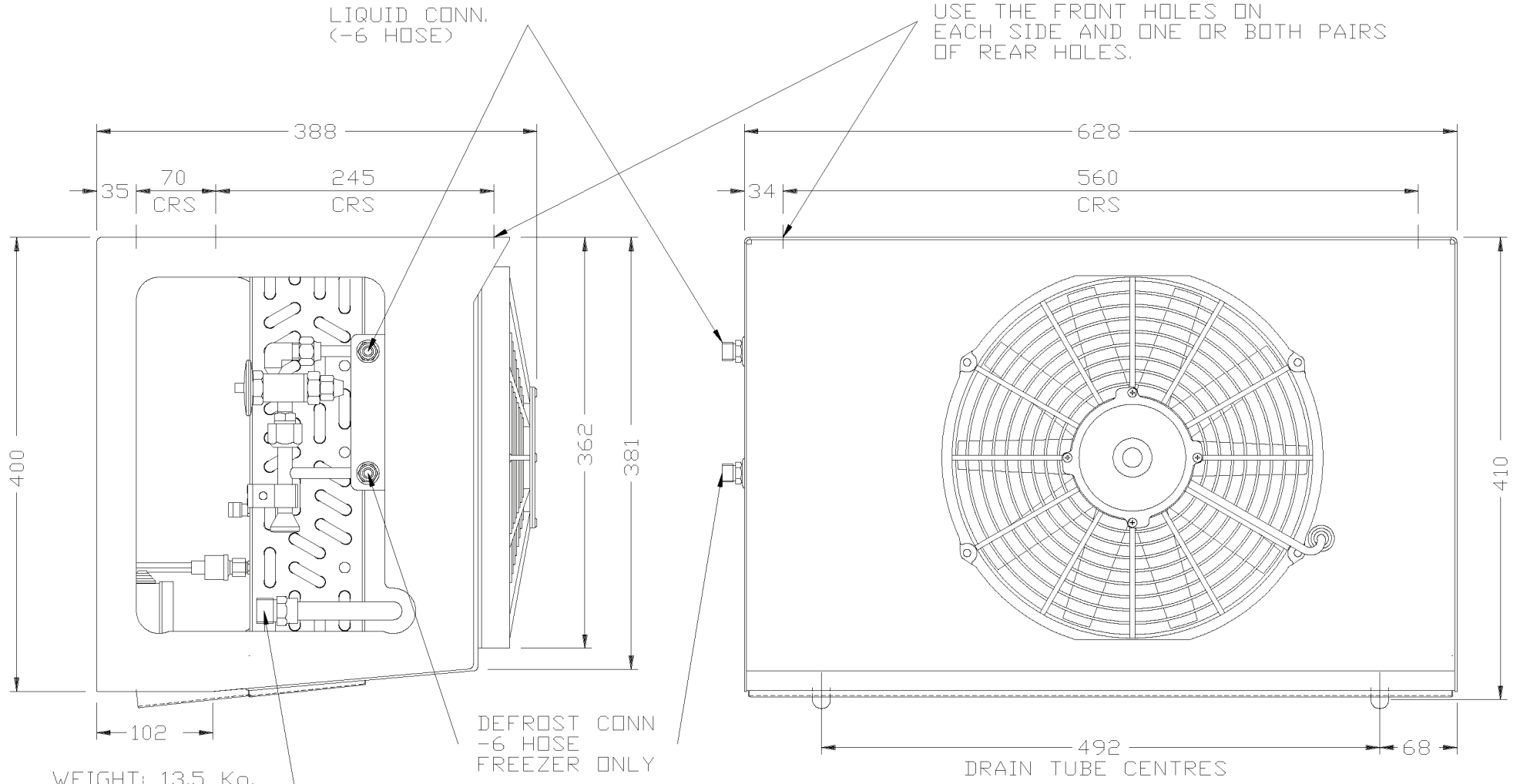
DO NOT SCALE

IF IN DOUBT, ASK

DIMENSIONS IN MM UNLESS STATED

REMOVE ALL BURRS AND SHARP EDGES

6 MOUNTING HOLES 9Ø
USE THE FRONT HOLES ON
EACH SIDE AND ONE OR BOTH PAIRS
OF REAR HOLES.



© 2000 GAH Ltd, WOODBRIDGE

1ST ANGLE PROJECTION			GENERAL TOLERANCES	
3RD ANGLE PROJECTION			MACHINED PARTS ±0.25mm ±0.50°	
			SHEET METAL ±0.5mm ±0.50°	
			PIPEWORK ±1.00mm ±3.00°	
			HOLE CENTRES ±0.25mm	
			UNLESS OTHERWISE SPECIFIED	
			MATERIAL	
2	17-3-03	RKB	DRN BY JCB	DATE
NO	DATE	REF No	SCALE	FINISH



GAH (Refrigeration) Ltd,
Building 846 Bentwaters Parks Woodbridge
Suffolk, England, IP12 2TW
Tel 01394 421140 FAX 01394 421151

TITLE			
ARROW FREEZE AND CHILL EVAPORATORS			
MODEL	DRG NO	ISSUE No	CHECKED
ARROW	19-14638	2	

DESCRIPTION CHANGED
DRAIN TUBES ADDED