

DO NOT SCALE

IF IN DOUBT, ASK

DIMENSIONS IN MM UNLESS STATED

REMOVE ALL BURRS AND SHARP EDGES

POSITIONS OF THE REFRIGERANT UNIONS (NOT TO SCALE)

COMPRESSOR DISCHARGE
COMPRESSOR SUCTION
EVAPORATOR SUCTION

DEFROST

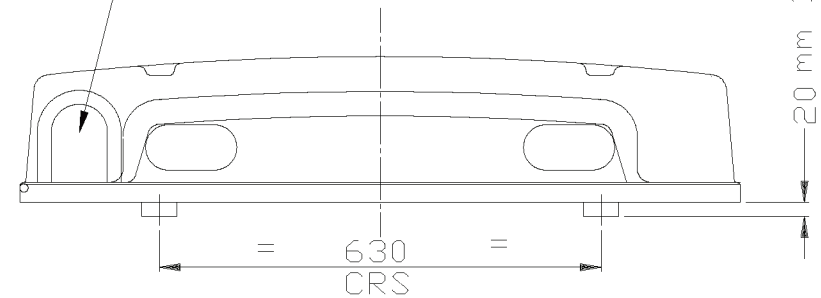
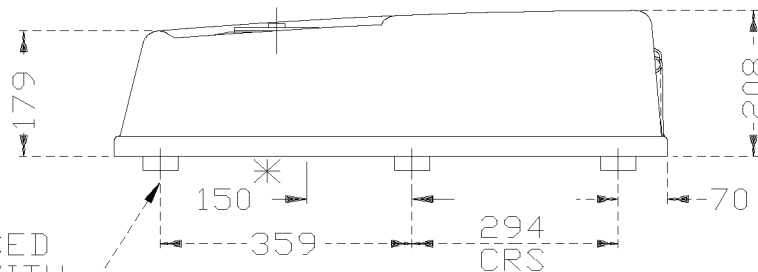
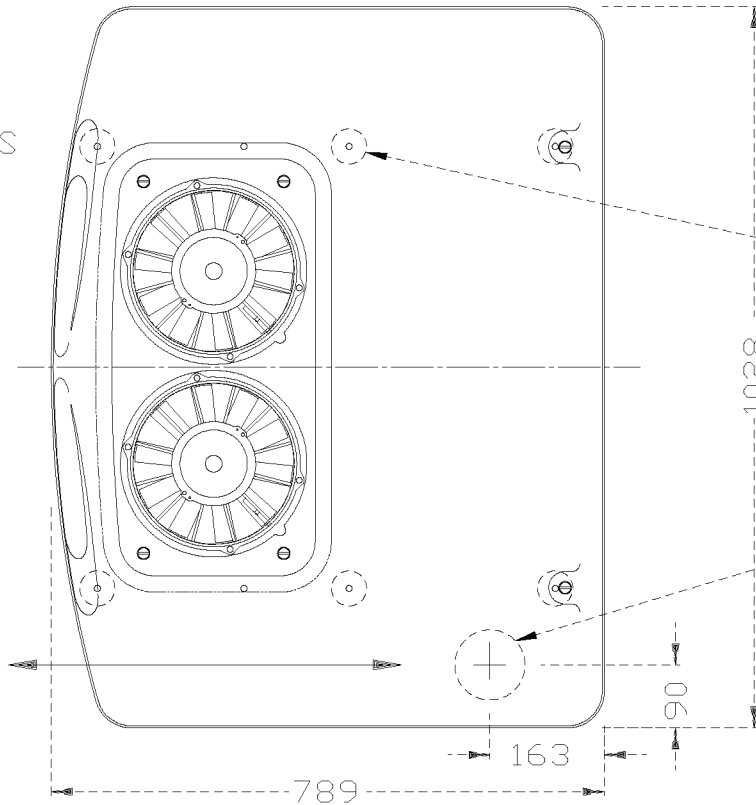
LIQUID ON DRIER

WEIGHTS
CONDENSER WITH STANDBY 67 Kg
WITHOUT 27 Kg

CENTRE MOUNTING POSITIONS MAY BE OMITTED ON UNITS WITHOUT STANDBY.

APPROX. POSITION OF HOLE IN ROOF FOR BOTTOM ENTRY HOSES.

TRIM COVER WITHIN MOULDED RIDGE FOR REAR ENTRY HOSES



MOUNTING PADS USED IN CONJUNCTION WITH M8 BOLTS OR STUDS (6 POSITIONS).

*ALTERNATIVE POSITION

MOULDED RIDGE ADDED TO REAR OF COVER

20 mm 1 PAD 40mm 2 PADS

1ST ANGLE PROJECTION		3RD ANGLE PROJECTION		GENERAL TOLERANCES		GAH		GAH (Refrigeration) Ltd, Building 846 Bentwaters Parks Woodbridge Suffolk, England, IP12 2TW Tel 01394 421140 FAX 01394 421151	
				MACHINED PARTS ±0.25mm ±0.50°		TITLE RAPIER 2004 CONDENSER			
				SHEET METAL ±0.5mm ±0.50°					
				PIPEWORK ±1.00mm ±3.00°		© 2004 GAH Ltd. WOODBRIDGE			
				HOLE CENTRES ±0.25mm		UNLESS OTHERWISE SPECIFIED			
				MATERIAL		MODEL		DRG NO	
2		2-03-06		RKB		R2004		19-20571	
NO		DATE		REF No		SCALE		FINISH	
								2	
								CHECKED	