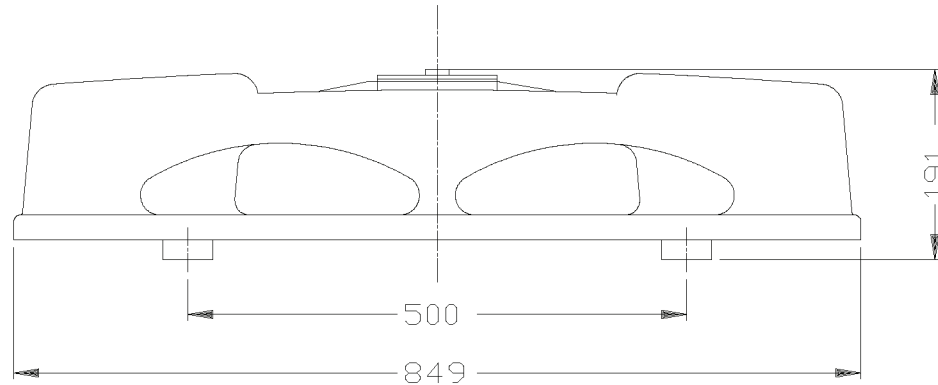
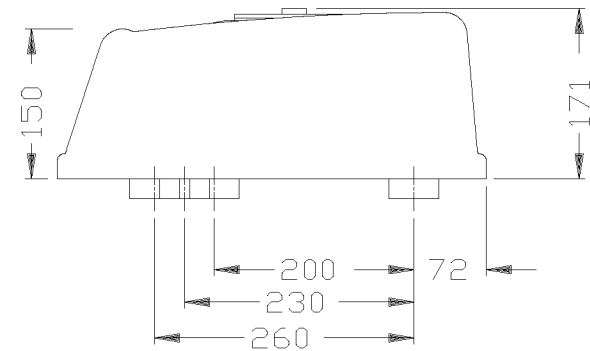


APPROX POSITION OF HOLE FOR HOSES

WEIGHT 14.6 Kg



LANCE CONDENSER




ALTERNATIVE FRONT MOUNTING POINTS

© 1997 GAH Ltd, WOODBRIDGE

1ST ANGLE PROJECTION		
3RD ANGLE PROJECTION		
NO	DATE	REF NO

GENERAL TOLERANCES	
MACHINED PARTS	±0.25mm ±0.50°
SHEET METAL	±0.5mm ±0.50°
PIPEWORK	±1.00mm ±3.00°
HOLE CENTRES	±0.25mm
UNLESS OTHERWISE SPECIFIED	
MATERIAL	
DRN BY JCB	DATE
SCALE	FINISH

 GAH (Refrigeration) Ltd, Building 846 Bentwaters Parks Woodbridge Suffolk, England, IP12 2TW Tel 01394 421140 FAX 01394 421151		TITLE	
		OUTLINE DRAWING LANCE CONDENSER	
MODEL	DRG NO	ISSUE No	CHECKED
LANCE	19-15163	1	