

DO NOT SCALE

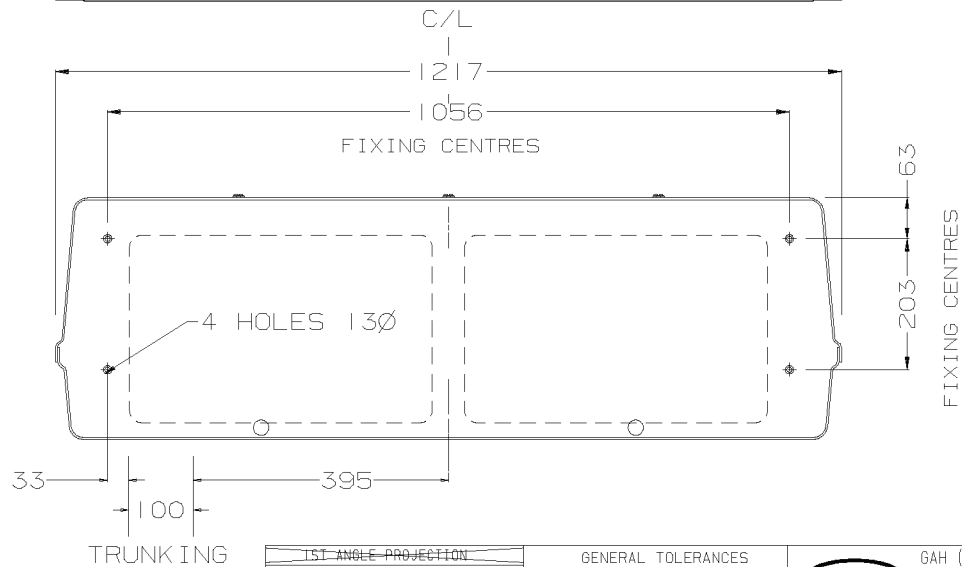
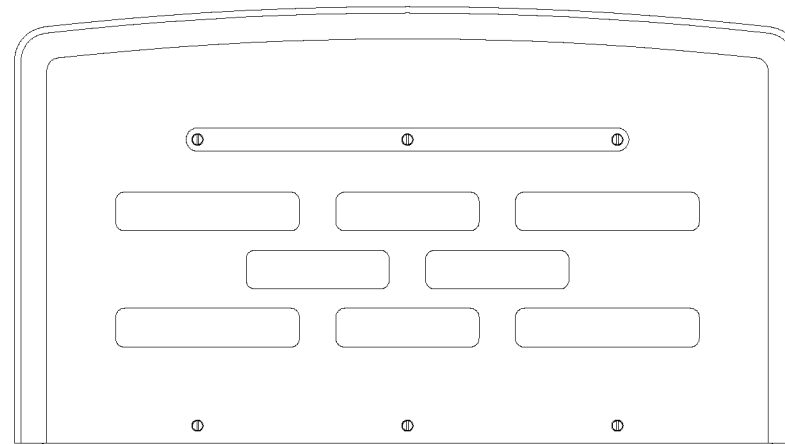
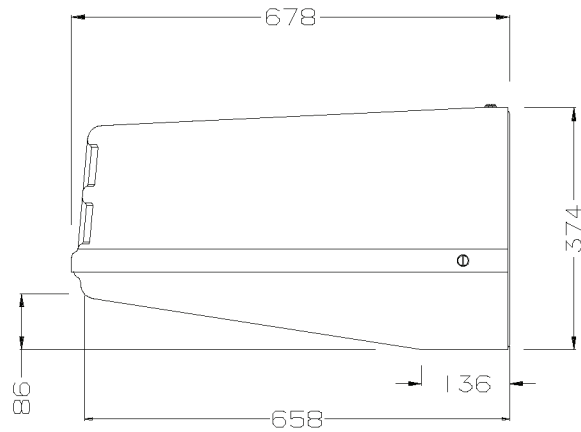
IF IN DOUBT, ASK


DIMENSIONS IN MM UNLESS STATED

REMOVE ALL BURRS AND SHARP EDGES

WEIGHT:  
WITH STANDBY - 95Kg  
WITHOUT STANDBY - 55Kg

### JAVELIN SPLIT



1ST ANGLE PROJECTION			GENERAL TOLERANCES		 GAH (Refrigeration) Ltd., Building 846 Bentwaters Parks Woodbridge Suffolk, England, IP12 2TW Tel 01394 421140 FAX 01394 421151
3RD ANGLE PROJECTION			MACHINED PARTS $\pm 0.25\text{mm}$ $\pm 0.50^{\circ}$ SHEET METAL $\pm 0.5\text{mm}$ $\pm 0.50^{\circ}$ PIPEWORK $\pm 1.00\text{mm}$ $\pm 3.00^{\circ}$ HOLE CENTRES $\pm 0.25\text{mm}$ UNLESS OTHERWISE SPECIFIED		
MATERIAL			TITLE		© 2006 GAH Ltd., WOODBRIDGE MODEL NEW JAV SPLIT DRG NO 19-17869 ISSUE No 1 CHECKED
DRN BY JCB DATE			SCALE FINISH		
NO	DATE	REF No	SCALE	FINISH	