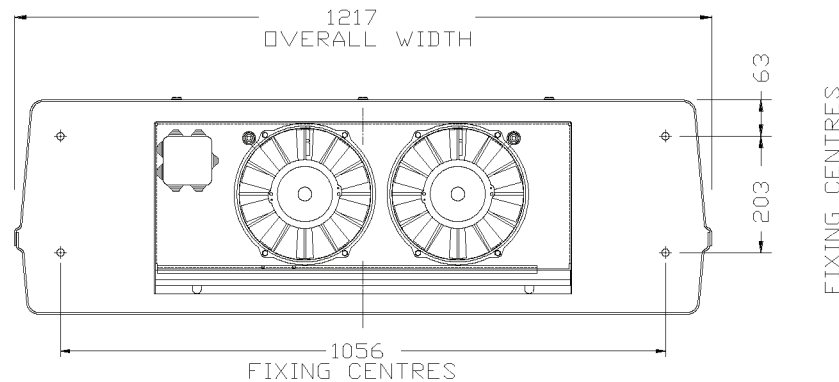
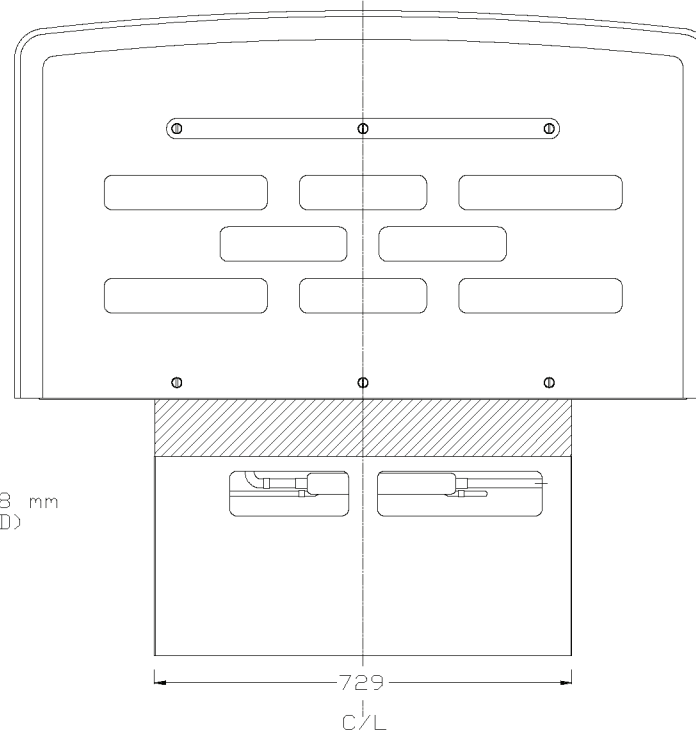
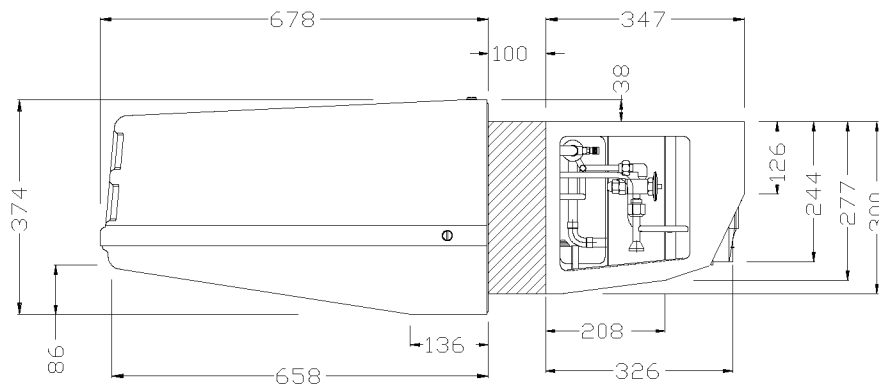


WEIGHT:
WITH STANDBY - 122Kg
WITHOUT STANDBY - 82Kg



© 2000 GAH Ltd, WOODBRIDGE

1ST ANGLE PROJECTION		
3RD ANGLE PROJECTION		
NO	DATE	REF No

GENERAL TOLERANCES	
MACHINED PARTS	$\pm 0.25\text{mm}$ $\pm 0.50^\circ$
SHEET METAL	$\pm 0.5\text{mm}$ $\pm 0.50^\circ$
PIPEWORK	$\pm 1.00\text{mm}$ $\pm 3.00^\circ$
HOLE CENTRES	$\pm 0.25\text{mm}$
UNLESS OTHERWISE SPECIFIED	
MATERIAL	
DRN BY	JCB
DATE	
SCALE	
FINISH	



GAH (Refrigeration) Ltd,
Building 846 Bentwaters Parks Woodbridge
Suffolk, England, IP12 2TW
Tel 01394 421140 FAX 01394 421151

TITLE		OUTLINE DRAWING JAVELIN ONE PIECE	
MODEL	NEW JAVELIN	DRG NO	19-17870
ISSUE No	1	CHECKED	