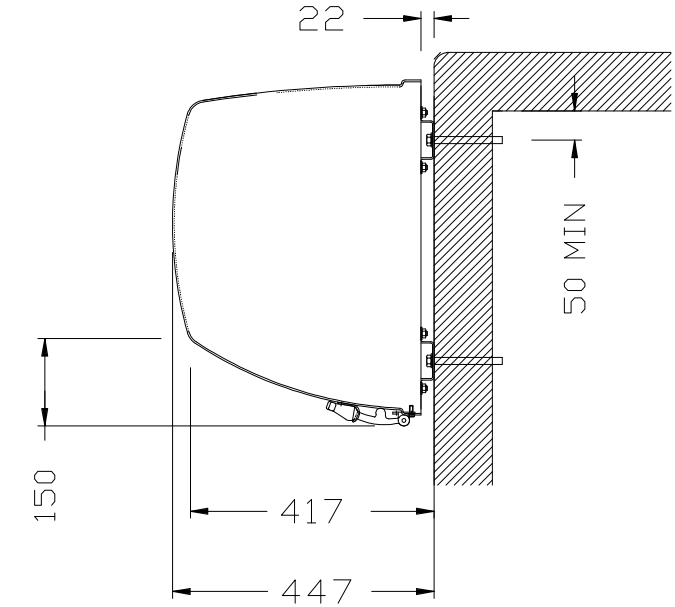
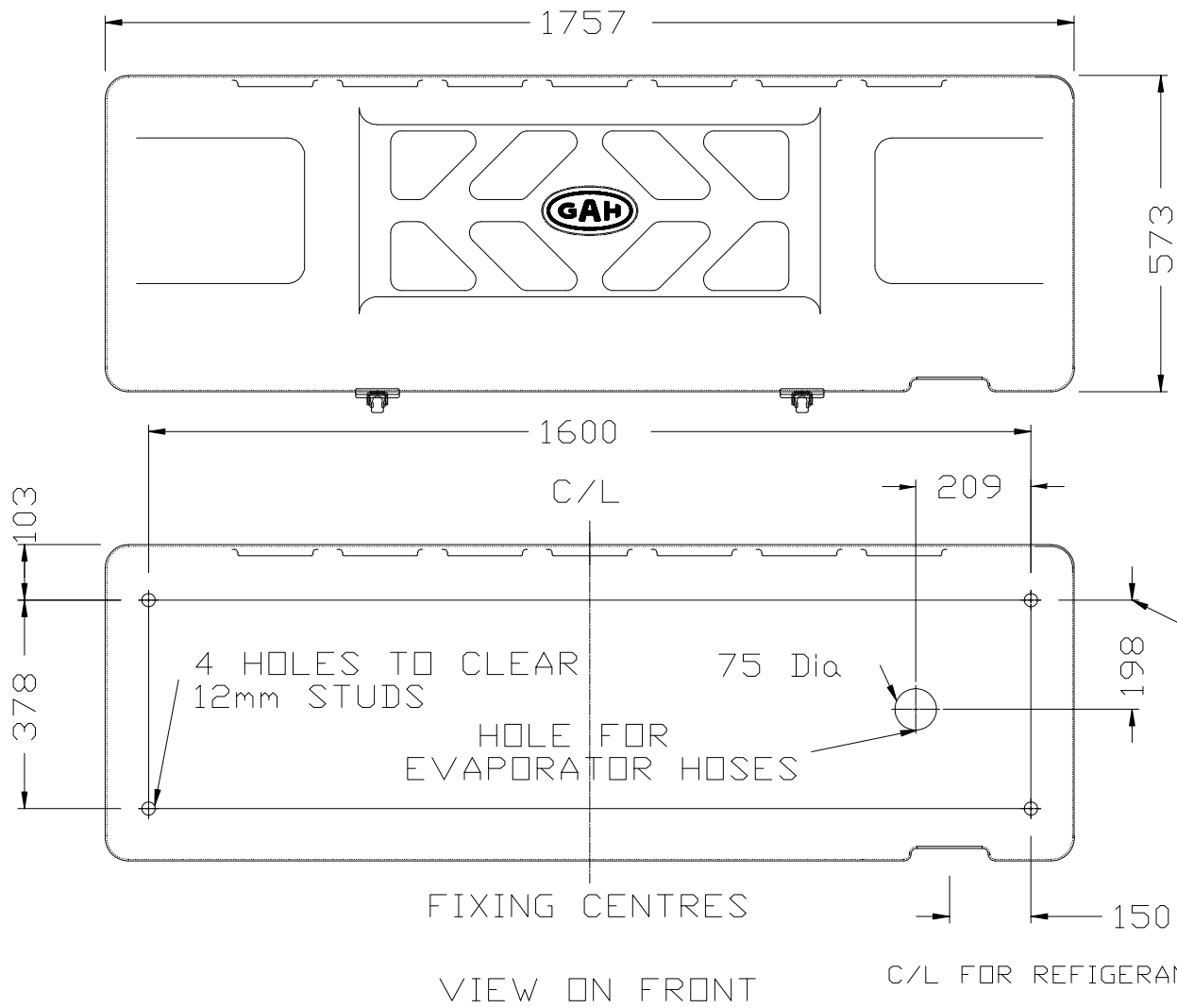


DO NOT SCALE

IF IN DOUBT, ASK

DIMENSIONS IN MM UNLESS STATED

REMOVE ALL BURRS AND SHARP EDGES



THESE HOLES TO BE 50 MM MIN BELOW INSIDE CEILING SO THAT DRAIN TUBES ARE NOT OBSTRUCTED MAX DISTANCE 150 MM.

WEIGHTS WITH STANDBY 99 Kg
WITHOUT 64 Kg

© 1999 GAH Ltd, WOODBRIDGE

1ST ANGLE PROJECTION			GENERAL TOLERANCES	
3RD ANGLE PROJECTION			MACHINED PARTS ±0.25mm ±0.50°	
			SHEET METAL ±0.5mm ±0.50°	
			PIPEWORK ±1.00mm ±3.00°	
			HOLE CENTRES ±0.25mm	
			UNLESS OTHERWISE SPECIFIED	
			MATERIAL	
			DRN BY RKB	DATE 18-1-99
			SCALE	FINISH
NO	DATE	REF No		



GAH (Refrigeration) Ltd.,
Melton Road, Melton, Woodbridge,
Suffolk, England, IP12 1NH
Tel 01394 386606 FAX 01394 386616

TITLE OUTLINE DRAWING
EXCALIBUR CONDENSER

MODEL EXCALIBUR	DRG NO 19-16523	ISSUE No 2	CHECKED
--------------------	--------------------	---------------	---------