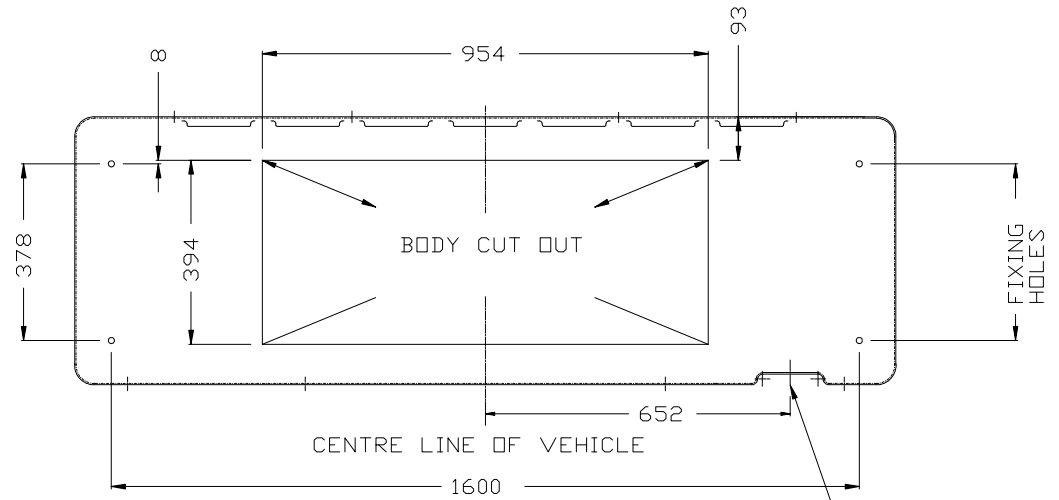
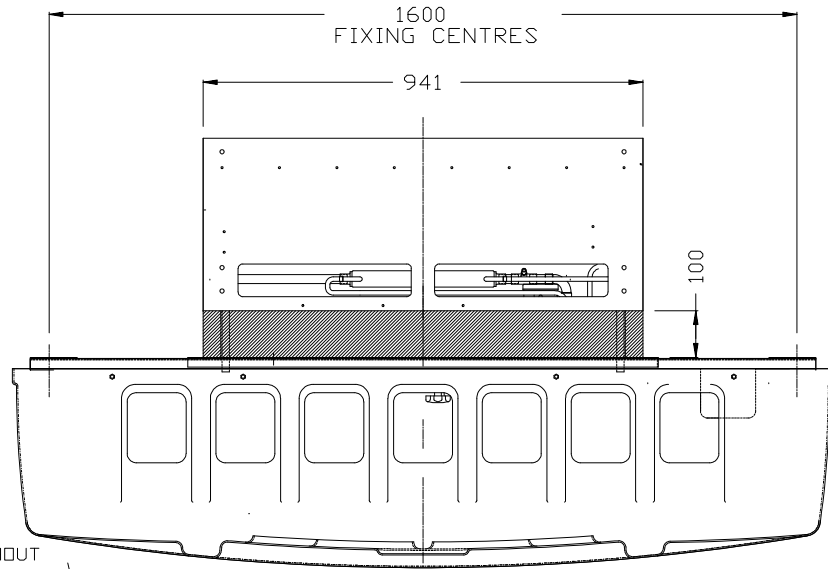


DO NOT SCALE

IF IN DOUBT, ASK

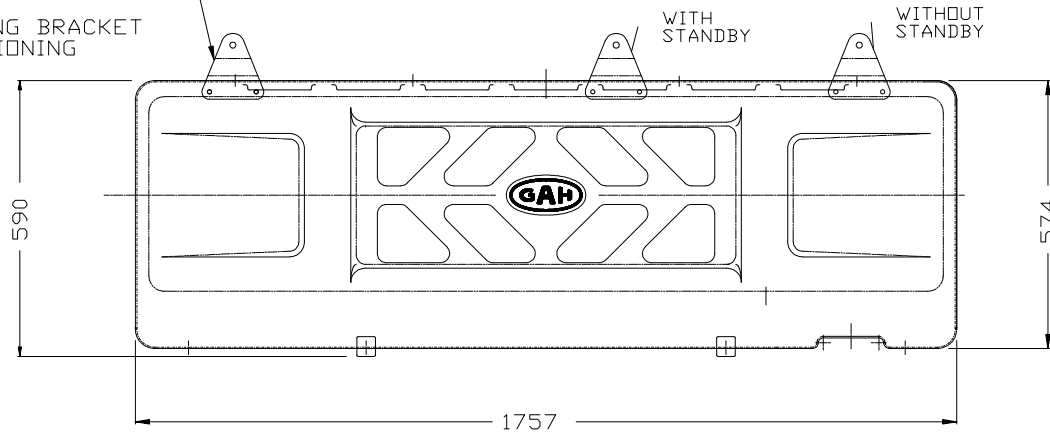
DIMENSIONS IN MM UNLESS STATED

REMOVE ALL BURRS AND SHARP EDGES



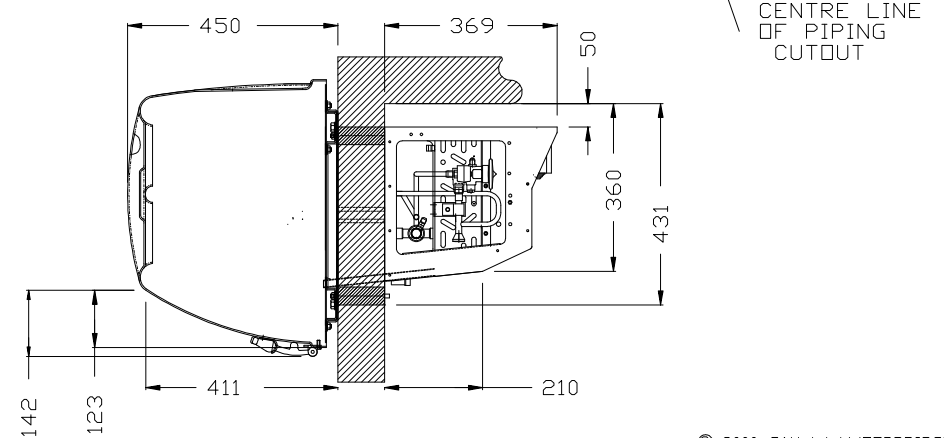
WITH OR WITHOUT  
STANDBY

LIFTING BRACKET  
POSITIONING



WITH  
STANDBY

WITHOUT  
STANDBY



WEIGHT  
WITH STANDBY 125Kg  
WITHOUT 90Kg

BOTTOM COVER FASTENERS SHOWN

1ST ANGLE PROJECTION		
3RD ANGLE PROJECTION		
NO	DATE	REF No
2	13-01-03	RKB

GENERAL TOLERANCES  
 MACHINED PARTS  $\pm 0.25\text{mm}$   $\pm 0.50^\circ$   
 SHEET METAL  $\pm 0.5\text{mm}$   $\pm 0.50^\circ$   
 PIPEWORK  $\pm 1.00\text{mm}$   $\pm 3.00^\circ$   
 HOLE CENTRES  $\pm 0.25\text{mm}$   
 UNLESS OTHERWISE SPECIFIED

MATERIAL	
DRN BY RKB	DATE 6-12-00
SCALE	FINISH



GAH (Refrigeration) Ltd.,  
 Building 846 Bentwaters Parks Woodbridge  
 Suffolk, England, IP12 2TW  
 Tel 01394 421140 FAX 01394 421151

TITLE ONE PIECE EXCALIBUR  
 OUTLINE DRAWING

MODEL	DRG NO	ISSUE No	CHECKED
O.P.EX.	19-18433	2	

© 2000 GAH Ltd, WOODBRIDGE