

DO NOT SCALE

IF IN DOUBT, ASK

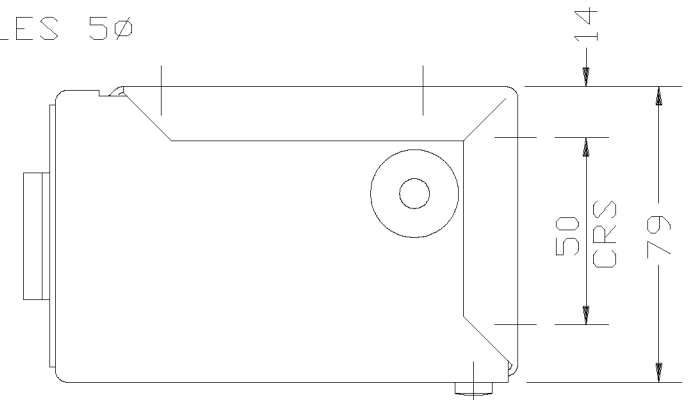
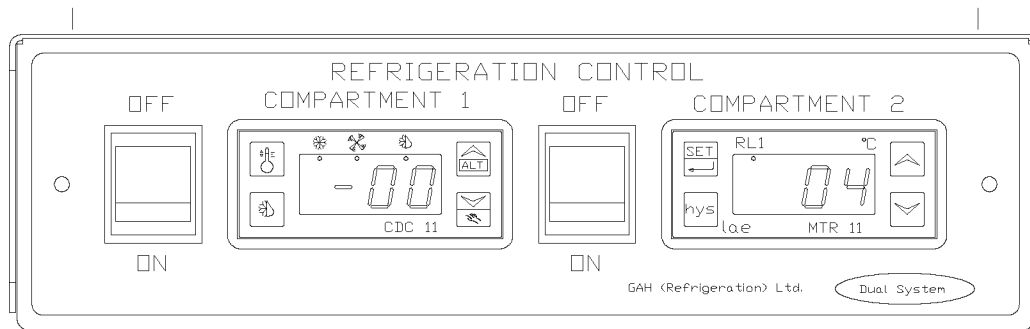
DIMENSIONS IN MM UNLESS STATED

REMOVE ALL BURRS AND SHARP EDGES



WEIGHT: 0.9 Kg


8 HOLES 5Ø



© 1997 GAH Ltd, WOODBRIDGE

1ST ANGLE PROJECTION		
3RD ANGLE PROJECTION		
NO	DATE	REF NO

GENERAL TOLERANCES	
MACHINED PARTS	±0.25mm ±0.50°
SHEET METAL	±0.5mm ±0.50°
PIPEWORK	±1.00mm ±3.00°
HOLE CENTRES	±0.25mm
UNLESS OTHERWISE SPECIFIED	
MATERIAL	
DRN BY JCB	DATE
SCALE	FINISH

 GAH (Refrigeration) Ltd, Melton Road, Melton, Woodbridge, Suffolk, England, IP12 1NH Tel 01394 386606 FAX 01394 386616		TITLE	
		OUTLINE DRAWING DUAL SYSTEM CAB CONTROL	
MODEL	DRG NO	ISSUE No	CHECKED
	19-16179	1	