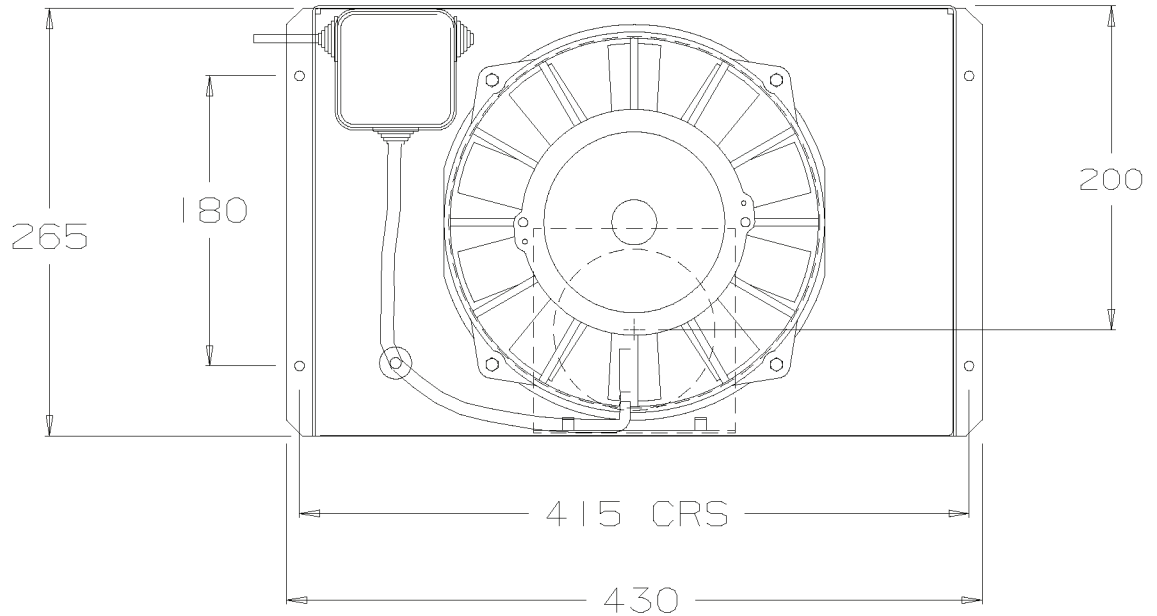
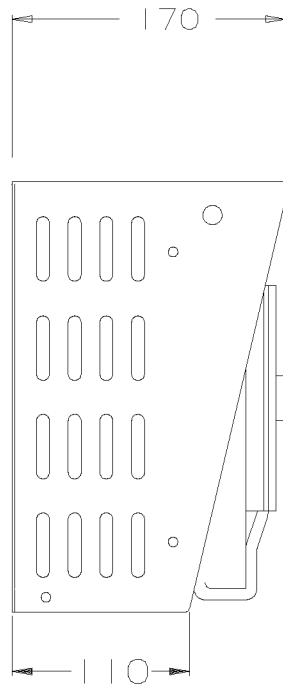



DO NOT SCALE

IF IN DOUBT, ASK

DIMENSIONS IN MM UNLESS STATED

REMOVE ALL BURRS AND SHARP EDGES



1ST ANGLE PROJECTION		GENERAL TOLERANCES		 GAH (Refrigeration) Ltd., Building 846 Bentwaters Parks Woodbridge Suffolk, England, IP12 2TW Tel 01394 421140 FAX 01394 421151	
3RD ANGLE PROJECTION		MACHINED PARTS $\pm 0.25\text{mm } \pm 0.50^\circ$ SHEET METAL $\pm 0.5\text{mm } \pm 0.50^\circ$ PIPEWORK $\pm 1.00\text{mm } \pm 3.00^\circ$ HOLE CENTRES $\pm 0.25\text{mm}$ UNLESS OTHERWISE SPECIFIED			
		MATERIAL		TITLE	
		DRN BY <b>RKB</b> DATE		2-TEMP FAN	
		SCALE FINISH		<small>© 2006 GAH Ltd, WOODBRIDGE</small> MODEL DRG NO ISSUE No CHECKED 2-TEMP 19-16719 1	
NO	DATE	REF No			